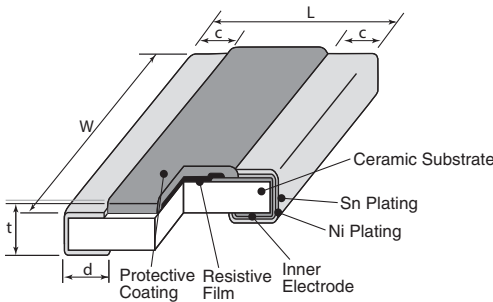


### features

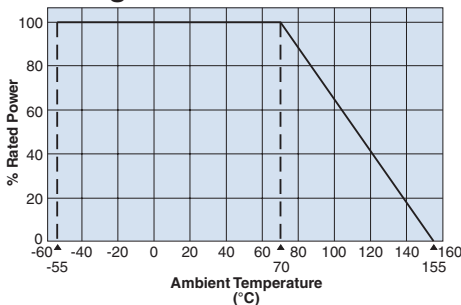
- Anti-sulfuration type, wide-side termination (reverse-geometry) type flat chip resistor
- Excellent anti-sulfuration characteristic due to using high sulfuration-proof inner top electrode material
- Suitable for both flow and reflow solderings
- This products meet EU RoHS requirements. EU RoHS regulation is not intended for Pb-glass contained in electrode, resistor element and glass.
- AEC-Q200 Qualified

### dimensions and construction

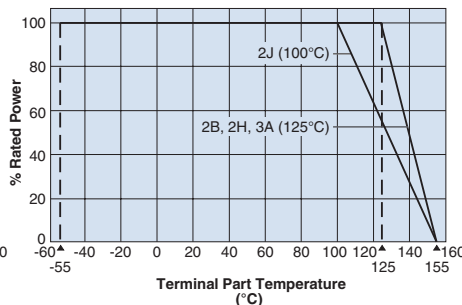


Type (Inch Size Code)	Dimensions inches (mm)				
	L	W	c	d	t
<b>2B (0612)</b>	.063 <sup>+0.004</sup> <sub>-0.008</sub> (1.6 <sup>+0.1</sup> <sub>-0.2</sub> )	.126 <sup>+0.004</sup> <sub>-0.012</sub> (3.2 <sup>+0.1</sup> <sub>-0.3</sub> )	.012 <sup>±0.008</sup> (0.3 <sup>±0.2</sup> )	.018 <sup>±0.006</sup> (0.45 <sup>±0.15</sup> )	.024 <sup>±0.004</sup> (0.6 <sup>±0.1</sup> )
<b>2H (1020)</b>	.098 <sup>+0.004</sup> <sub>-0.008</sub> (2.5 <sup>+0.1</sup> <sub>-0.2</sub> )	.197 <sup>+0.004</sup> <sub>-0.008</sub> (5.0 <sup>+0.1</sup> <sub>-0.2</sub> )	.016 <sup>±0.008</sup> (0.4 <sup>±0.2</sup> )	.030 <sup>±0.006</sup> (0.75 <sup>±0.15</sup> )	
<b>2J (1218)</b>	.122 <sup>+0.004</sup> <sub>-0.008</sub> (3.1 <sup>+0.1</sup> <sub>-0.2</sub> )	.181 <sup>+0.004</sup> <sub>-0.008</sub> (4.6 <sup>+0.1</sup> <sub>-0.2</sub> )	.016 <sup>±0.008</sup> (0.4 <sup>±0.2</sup> )	.030 <sup>±0.006</sup> (0.75 <sup>±0.15</sup> )	.024 <sup>±0.004</sup> (0.6 <sup>±0.1</sup> )
<b>3A (1225)</b>	.122 <sup>+0.008</sup> <sub>-0.004</sub> (3.1 <sup>+0.2</sup> <sub>-0.1</sub> )	.248 <sup>±0.006</sup> (6.3 <sup>±0.15</sup> )	.018 <sup>±0.008</sup> (0.45 <sup>±0.2</sup> )	.030 <sup>±0.006</sup> (0.75 <sup>±0.15</sup> )	

### Derating Curve



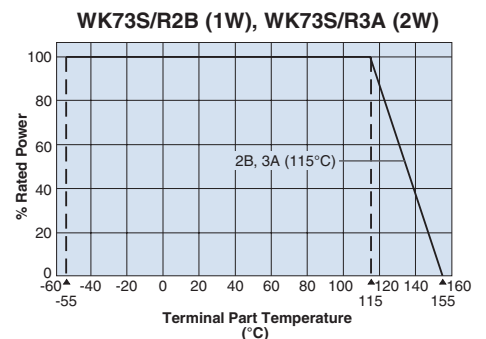
For resistors operated at an ambient temperature of 70°C or above, a power rating shall be derated in accordance with the above derating curve.



For resistors operated terminal temperature of described for each size or above, a power rating shall be derated in accordance with the derating curve.

Please refer to "Introduction of the derating curve based on the terminal part temperature" in the beginning of our catalog before use.

When using Power Rating', please use the derating curves based on the terminal part temperature on the right side.



### ordering information

<b>WK73R</b>	<b>R2B</b>	<b>RT</b>	<b>TD</b>	<b>10R0</b>	<b>F</b>
<b>Type</b>	<b>Size</b>	<b>Termination Material</b>	<b>Packaging</b>	<b>Nominal Resistance*</b>	<b>Resistance Tolerance</b>
WK73S WK73R	2B: 0.75W, 1W 2H: 1W 2J: 1W 3A: 1.5W, 2W	RT : Sn	TD: 4mm pitch punched paper TE: 4mm pitch embossed plastic For further information on packaging, please refer to Appendix A	±1%: 4 digits ±5%: 3 digits	F: ±1% J: ±5%

\* Resistance value, 3 digits:  
1~9.1Ω, 1R0~9R1  
Resistance value, 4 digits:  
1~9.76Ω, 1R00~9R76

Specifications given herein may be changed at any time without prior notice. Please confirm technical specifications before you order and/or use.

11/06/17

## applications and ratings

Part Designation	Power Rating	Rated Ambient Temperature	Rated Terminal Part Temperature	T.C.R. (X 10 <sup>-6</sup> /K)	Resistance Range (Ω)		Maximum Working Voltage	Maximum Overload Voltage	Operating Temperature Range
					F±1% E-24 • E-96	J±5% E-24			
WK73S2B	0.75W	70°C	125°C	±100	1 ~ 9.76	1~9.1	200V	400V	-55°C to +155°C
	1.0W <sup>1</sup>	—	115°C	±100	1 ~ 9.76	1~9.1			
WK73R2B	0.75W	70°C	125°C	±100	10 ~ 9.76k	10 ~ 9.1k	200V	400V	
	1.0W <sup>1</sup>	—	115°C	±100	10 ~ 9.76k	10 ~ 9.1k			
WK73S2H	1.0W	70°C	125°C	±100	1 ~ 9.76	1 ~ 9.1	200V	400V	
WK73R2H	1.0W	70°C	125°C	±100	10 ~ 430k	10 ~ 430k			
WK73S2J	1.0W	70°C	100°C	±100	1 ~ 9.76	1~9.1	200V	400V	
				±200	432k - 1M	470k - 1M			
WK73R2J	1.0W	70°C	100°C	±100	10 ~ 510k	10 ~ 510k	200V	400V	
				±200	511k ~ 1M	560k ~ 1M			
WK73S3A	1.5W	70°C	125°C	±100	1 ~ 9.76	1 ~ 9.1	200V	400V	
	2.0W <sup>1</sup>	—	115°C	±100	1 ~ 9.76	1 ~ 9.1			
WK73R3A	1.5W	70°C	125°C	±100	10 ~ 330k	10 ~ 330k	200V	400V	
				±200	332k - 1M	360k - 1M			
	2.0W <sup>1</sup>	115°C	±100	10 ~ 330k	10 ~ 330k				
			±200	332k - 1M	360k - 1M				

Rated voltage =  $\sqrt{\text{Power rating} \times \text{resistance value}}$  or max. working voltage, whichever is lower

<sup>1</sup> When using Power Rating, please use the derating curves based on the terminal part temperature on the right side of the graph located on the previous page.

If any questions should arise whether to use the “Rated Ambient Temperature” or the “Rated Terminal Part Temperature”, please give priority to the “Rated Terminal Part Temperature.” Prior to use and for more details refer to the “Introduction of the derating curves based on the terminal part temperature” in the beginning of the catalog.

## environmental applications

### Performance Characteristics

Parameter	Requirement $\Delta R \pm(\%+0.005\Omega)$		Test Method
	Limit	Typical	
Resistance	Within specified tolerance	—	25°C
T.C.R.	Within specified T.C.R.	—	+25°C/-55°C and +25°C/+125°C
Overload (Short time)	±2%	±0.2%	WK732B, S2H, R2H, S2J, R2J: Rated voltage x 2.5 for 5 seconds WK73S2B (1W), WK73S/R3A (2W): Rated voltage x 2.0 for 5 seconds
Resistance to Solder Heat	±1%	±0.2%	260°C ± 5°C, 10 seconds ± 1 second
Bending Test	±1%	±0.1%	Holding point 90mm, Bending 1 time, Bending 5mm
Rapid Change of Temperature	±0.5%	±0.3%	-55°C (30 minutes), +125°C (30 minutes), 100 cycles
Moisture Resistance	±2%	±0.2%	40°C ± 2°C, 90%-95% RH, 1000 hours, 1.5 hr ON, 0.5 hr OFF cycle
Endurance at 70°C	±2%	±0.2%	70°C ± 2°C, 1000 hours, 1.5 hr ON, 0.5 hr OFF cycle
High Temperature Exposure	±1%: another	±0.2%: another	+155°C, 1000 hours
Sulfuration Test	±5%	—	Soaked in industrial oil with 3.5% sulfur concentration 105°C ± 3°C, 500 hours

Additional environmental applications can also be found at [www.koaspeer.com](http://www.koaspeer.com)

Specifications given herein may be changed at any time without prior notice. Please confirm technical specifications before you order and/or use.

11/06/17