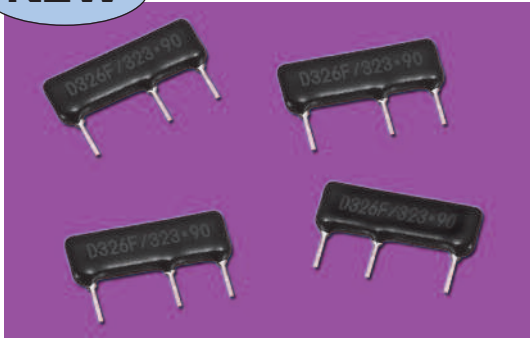


thick film resistors for high voltage (high-precision high voltage divider)

NEW



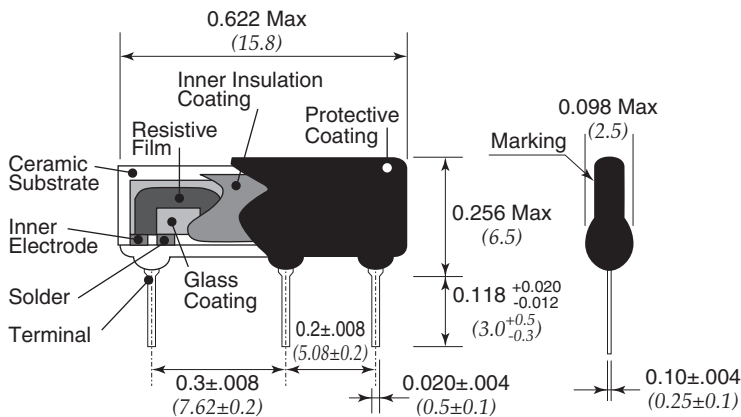
features

- High-precision high voltage divider for high voltage circuits
- Thin SIP shape
- The flame retardant coats corresponding to UL94V-0 are used
- Higher relative accuracy of resistance value is possible with one package
- Thick film resistors (RuO₂) ensure high stabilities in life and change in aging
- Products with lead-free terminations meet EU RoHS requirements. EU RoHS regulation is not intended for Pb-glass contained in electrode, resistor element and glass.

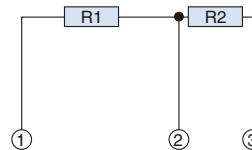
EU
RoHS
COMPLIANT

leaded
resistors

dimensions and construction



Style	Weight (1000 pcs)
RK92D32C4D	297g



ordering information

RK92	D	3	2	C	4	Manufacturing Serial Number (Internal circuit is indicated by A00)	D	754/622	F
Product Code	Type	Terminal Pitch 1	Terminal Pitch 2	Height Symbol	Voltage Symbol		Terminal Symbol	Resistance Symbol	Resistance Tolerance
RK92 (Standard)	D	3	2	C	4	Nil	D	(R1+R2)/R2	F
Ex.* RK92 (Custom)	D	8	2	C	Nil	A00	D	Nil	Nil

* Please contact factory for the outline method and circuit diagram of custom products.

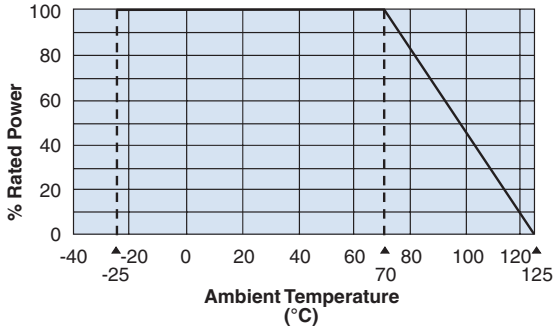
applications and ratings

Part Designation	Max. Working Voltage Symbol	Nominal Resist.	Power Rating		Resistance (Ω)		Resist. Tolerance (R1)	Relative Resist. Ratio		T.C.R. ($\times 10^{-6}/K$)		Max. Working Voltage	Rated Ambient Temp.	Operating Temp. Range
			R1	R2	R1 E24	R2		R1/R2	Tolerance	Absolute	Relative			
32C	4	754/622	0.5W	0.2W	750k	6.25k	F: $\pm 1\%$	120	$\pm 0.2\%$	± 100	± 50	4kV	+70°C	-40°C to +125°C
		205/103			2M	10k		200						
		136/263			13M	26k		500						
		336/333			33M	33k		1000						

Please contact factory for other values that are not listed above.

environmental applications

Derating Curve



For resistors operated at an ambient temperature of 70°C or above, a power rating shall be derated in accordance with the above derating curve.

Performance Characteristics

Parameter	Requirement $\Delta R \pm(\% + 0.05\Omega)$		Test Method
	Limit	Typical	
Resistance	Within specified tolerance	—	25°C
T.C.R.	Within specified T.C.R.	—	+25°C/+125°C
Resistance to Solder Heat	$\pm 0.5\%$	$\pm 0.2\%$	260°C $\pm 5^\circ\text{C}$, 10 seconds ± 1 second
Rapid Change of Temperature	$\pm 0.5\%$	$\pm 0.2\%$	-40°C (30 minutes)/ +125°C (30 minutes) 5 cycles
Moisture Resistance	$\pm 2\%$	$\pm 1\%$	40°C $\pm 2^\circ\text{C}$, 90 - 95% RH, 1000 hours, 1.5 hr ON, 0.5 hr OFF cycle
Endurance	$\pm 2\%$	$\pm 1\%$	70°C $\pm 2^\circ\text{C}$, 1000 hours, 1.5 hr ON, 0.5 hr OFF cycle