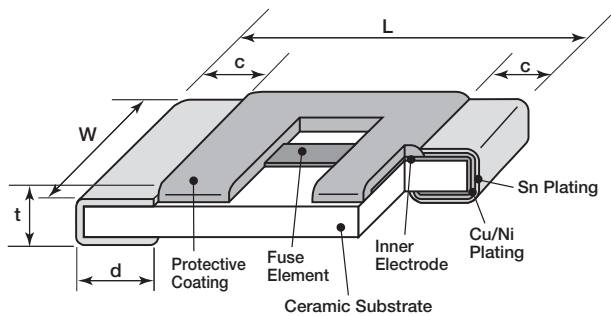




features

- Small and light chip current fuses for the secondary circuit
- Temperature cycle (-55°C ~ 125°C), 1000 cycle
- Original construction and manufacturing method stabilize fusing characteristics
- Suitable for overcurrent protection of circuit block in small electronic devices
- Suitable for reflow solderings
- Products meet EU RoHS requirements
- AEC-Q200 Tested

dimensions and construction



Type	Dimensions inches (mm)				
	L	W	c	d	t
TF16VN (0603)	.063±.004 (1.6±0.1)	.031±.004 (0.8±0.1)	.014±.004 (0.35±0.1)	.012±.004 (0.3±0.1)	.018±.004 (0.45±0.1)

ordering information

TF	16V	N	2.50	D	T	TD
Product Code	Size	Fusing Characteristics	Rated Current	Rated Voltage	Terminal Surface Material	Taping
	16V: 1.6 x 0.8mm	N: Normal blow		Nil: DC 32V D: DC 125V DC 70V DC 50V	T: Sn	TD: 4mm pitch punch paper

For further information on packaging, please refer to Appendix A.

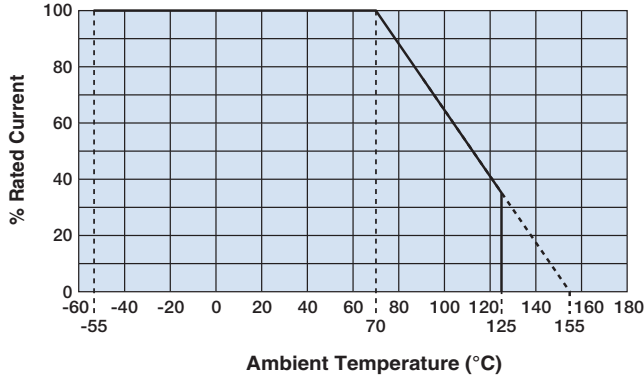
ratings

Type	Marking	Rated Current	Fusing Time	Internal R. (mΩ)Max.	Rated Voltage	Rated Ambient Temp.	Operating Temperature Range
TF16VN0.40	H	0.40A	Open within 5 sec. at 250% rated current. Refer to the graph of fusing characteristics.	760	DC 32V (DC125V)	+70°C	-55°C ~ 125°C
TF16VN0.50	F	0.50A		520			
TF16VN0.63	I	0.63A		370	DC 32V (DC70V)		
TF16VN0.80	K	0.80A		200			
TF16VN1.00	L	1.00A		160			
TF16VN1.25	M	1.25A		130			
TF16VN1.60	N	1.60A		100			
TF16VN2.00	S	2.00A		80			
TF16VN2.50	T	2.50A		60	DC 32V (DC50V)		
TF16VN3.15	U	3.15A		40			

High rated voltage products (DC 125V: 0.4A to 0.5A, DC 70V: 0.63A to 2.5A, DC 50V: 3.15A) are available. Please ask KOA sales.

environmental applications

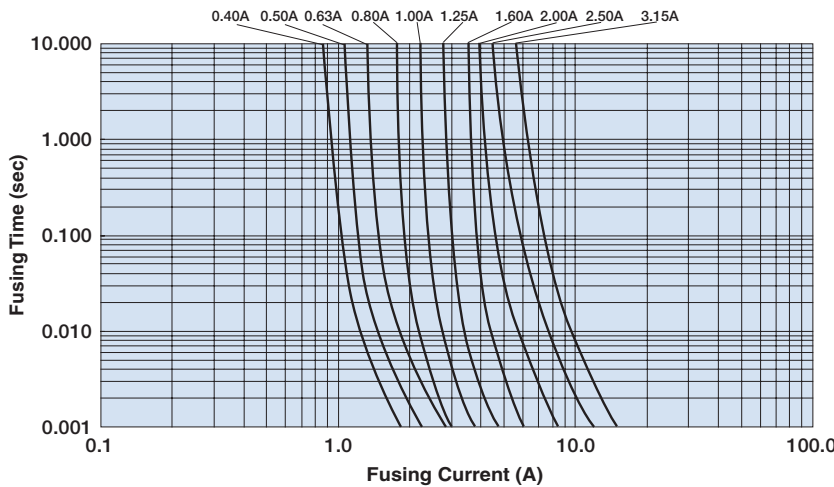
Derating Curve



Stationary current: Regard the peak of stationary current waveform as stationary current value when the stationary current is repeated pulse.

Temperature Derating: Rated Current needs to be derated if used at an ambient temperature of 70°C or more. Refer to the derating coefficient on the left figure.

Fusing Characteristics (Average Fusing Time)



Performance Characteristics

Test Items	Performance Requirements $\Delta R \pm \%$		Test Methods
	Limit	Typical	
Fusing Characteristics	Within 5 seconds	—	250% of rated current shall be carried (@25°C)
Bending Test	No mechanical damages	—	Distance between holding points 90mm, bending width 2mm, 1 time.
Resistance to Soldering Heat (Reflow Soldering)	10	5	Preheating: 150+30°C, 90 ± 30 seconds Heating: 230°C or more, 30 ± 10 seconds, max. 260°C
Solderability	95% coverage min.	—	245°C±3°C, 3 seconds ± 0.5 seconds
Load Life	10	5	70°C±2°C, 1000h, Rated current × 100%, 1.5h ON/0.5h OFF cycle
Load Life Moisture	10	5	85°C±2°C, 85%±5%RH, 1000h, Rated current × 10%, 1.5h ON/0.5h OFF cycle
Rapid Change of Temperature	10	5	-55°C (30min.)/+125°C (30min.) 1000 cycles
Resistance to Solvent	No evidence of damages to protective coating and marking.	—	Conforming to MIL-STD-202F
Residual Resistance	10kΩ or more	—	Measure DC resistance after fusing